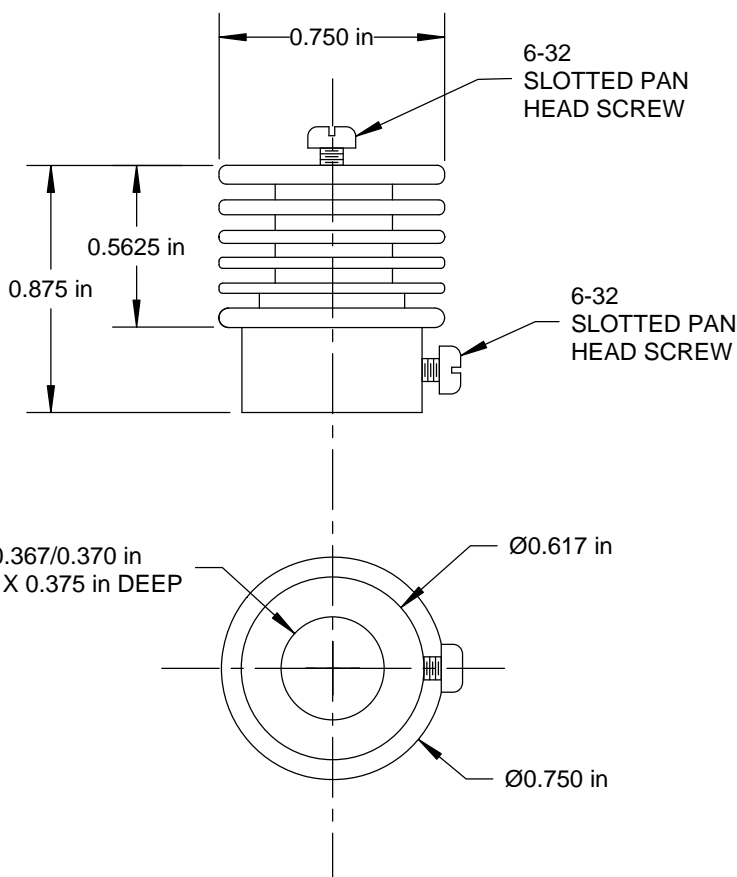
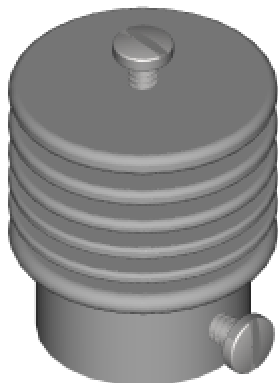


QTY.	PRODUCT	NEXT ASSY. DWG.	NO.	DESCRIPTION OF CHANGE	SCO#	DATE	BY
			0	NEW ISSUE		8/27/03	DSE
			1	Added 3D View		01/22/14	DSE
			2				
			3				
			4				

NO. 40624/S25671

SUPSDS.



ITEM#	QTY	PART NUMBER	DESCRIPTION
TOLERANCES UNLESS OTHERWISE SPECIFIED		THIS DOCUMENT IS THE PROPERTY OF RICHARDSON ELECTRONICS, LTD. AND SHALL NOT BE COPIED, REPRODUCED, USED IN THE MANUFACTURE OR SALE OF APPARATUS OR DISCLOSED TO OTHERS WITHOUT PERMISSION.	
FRACTIONS ±1/64		DECIMALS .X ±.1 .XXX ±.005	Richardson Electronics, Ltd.
ANGLES ±1/2°		.XX ±.01 .XXXX ±.005	
DO NOT SCALE DRAWING			ANODE HEATSINK CONNECTOR FOR .365 in (9.3 mm) TERMINALS
DRAWN	DSE	SCALE NTS	
ENG. MGR.		ENG. CHKD.	NO. 40624/S25671 CHANGE 1
ENG. MGR.		PRODN. APPD.	
MAT'L	—		
MAT'L SPEC. NO.	— ALUMINUM		
FINISH	—		PROD.